

HD28267

DIRECTIONAL COUPLER FOR COMMUNICATION



FEATURES AND APPLICATION:

The HD28267 is directional coupler with type N female connectors. With its compact size, low insertion loss, and high isolation, it is an ideal component for GSM, CDMA and WCDMA applications.

Our production techniques ensures repeatable performance and high quality.

TECHNICAL SPECIFICATIONS:

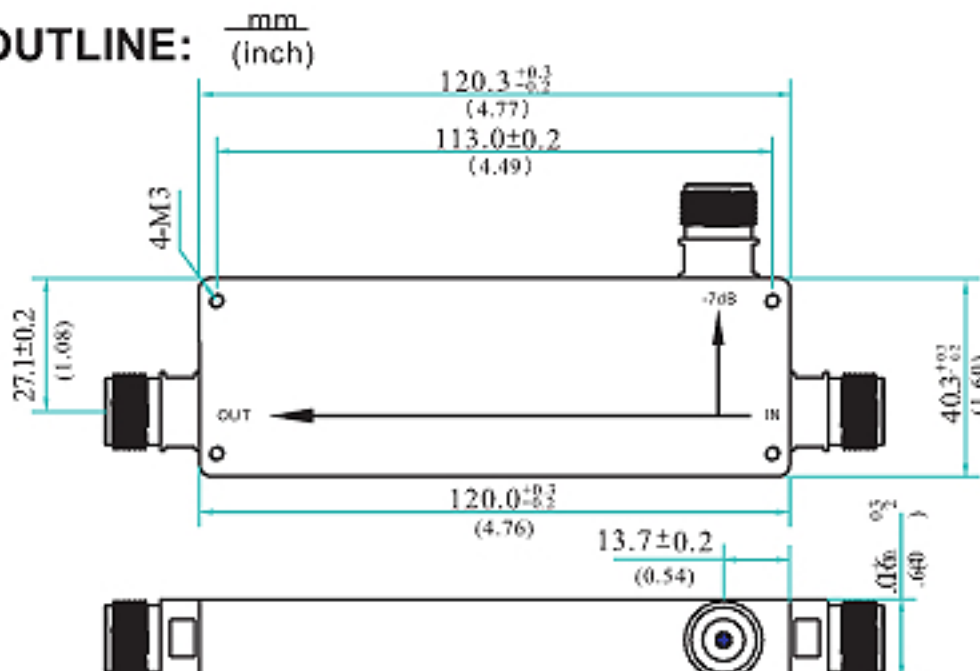
Frequency Range	Insertion Loss	Coupling	VSWR	Directivity	Frequency Sensitivity
0.8-2.5GHz	0.4dB	7±0.5dB	1.25	20dB	± 0.5dB
Connector	Power Handling				
N-F	200W				

ENVIRONMENTAL PARAMETERS:

OPERATING TEMPERATURE: -20~+70°C

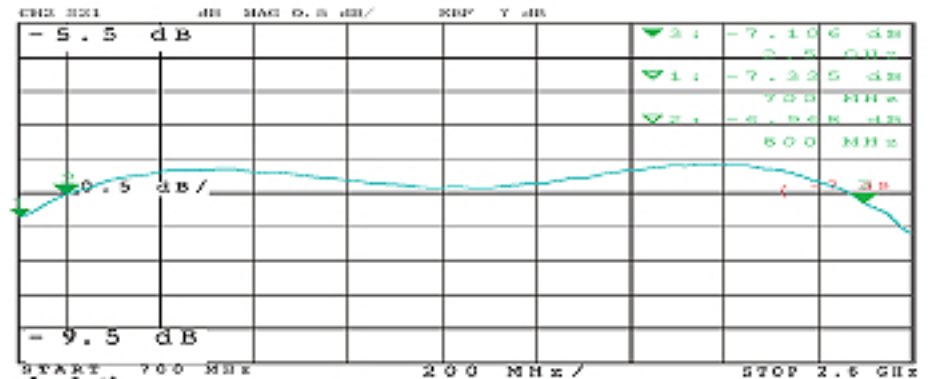
STORAGE TEMPERATURE: -40~+70°C

OUTLINE:

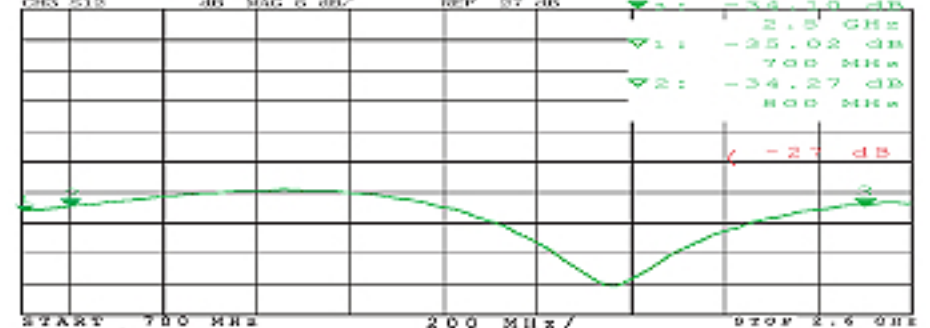


TYPICAL PLOT:

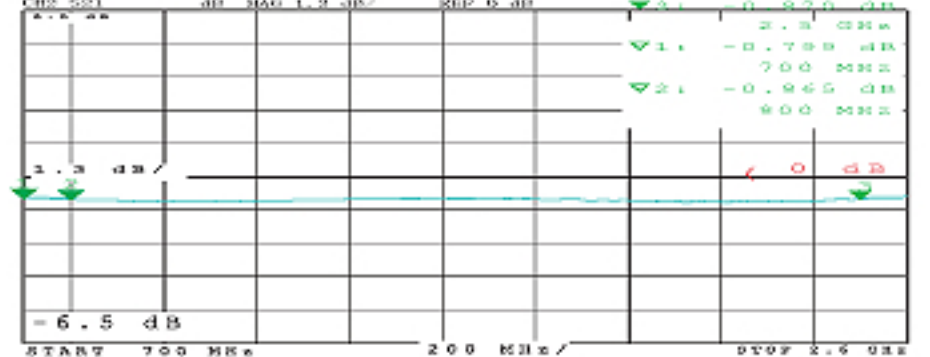
Coupling



Isolation



Insertion loss



VSWR

