

HD28252



FEATURES AND APPLICATION:

The HD28252 is a 0° power divider with SMA connectors. It covers the frequency range of 0.5-18 GHz. The HD28252 is compact in size, has low insertion loss and good VSWR as well as high isolation. Our production techniques ensures reputable performance and high quality.

TECHNICAL SPECIFICATIONS:

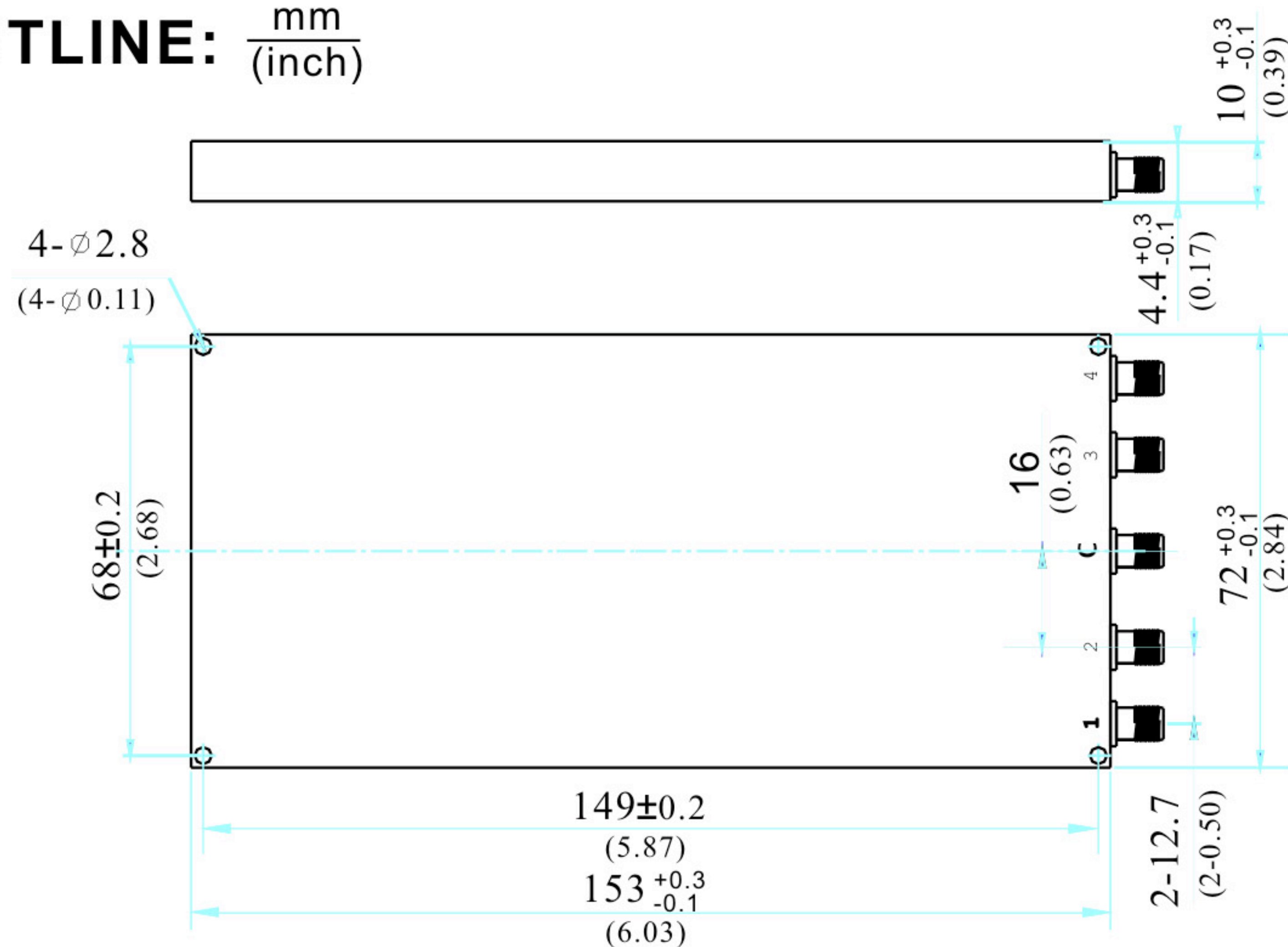
Frequency Range	Insertion Loss	Isolation	Input VSWR	Output VSWR	Amplitude Balance
0.5-6GHz	1.80dB	16dB	1.60	1.50	±0.30dB
Phase Balance	Connector	Power Handling			
±4°	SMA-F	30W			

ENVIRONMENTAL PARAMETERS:

OPERATING TEMPERATURE: -55~+85°C

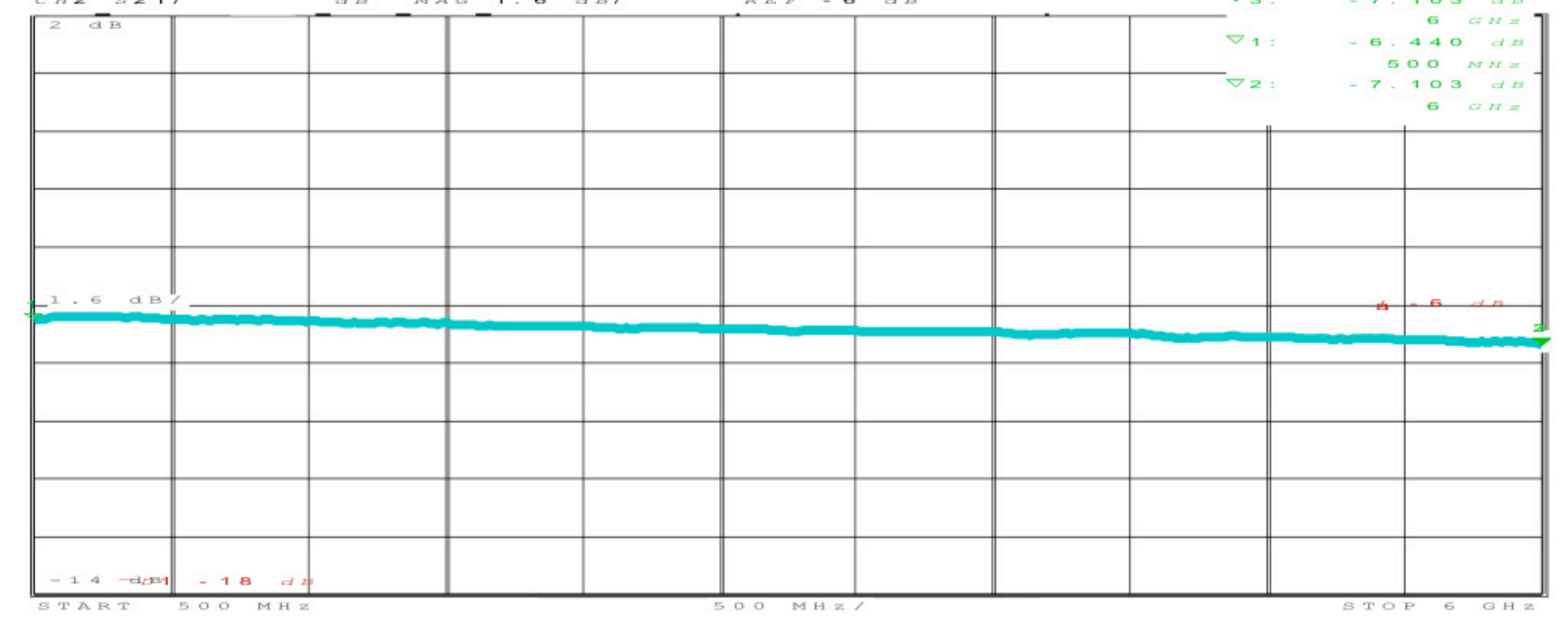
STORAGE TEMPERATURE: -55~+100°C

OUTLINE: $\frac{\text{mm}}{\text{(inch)}}$

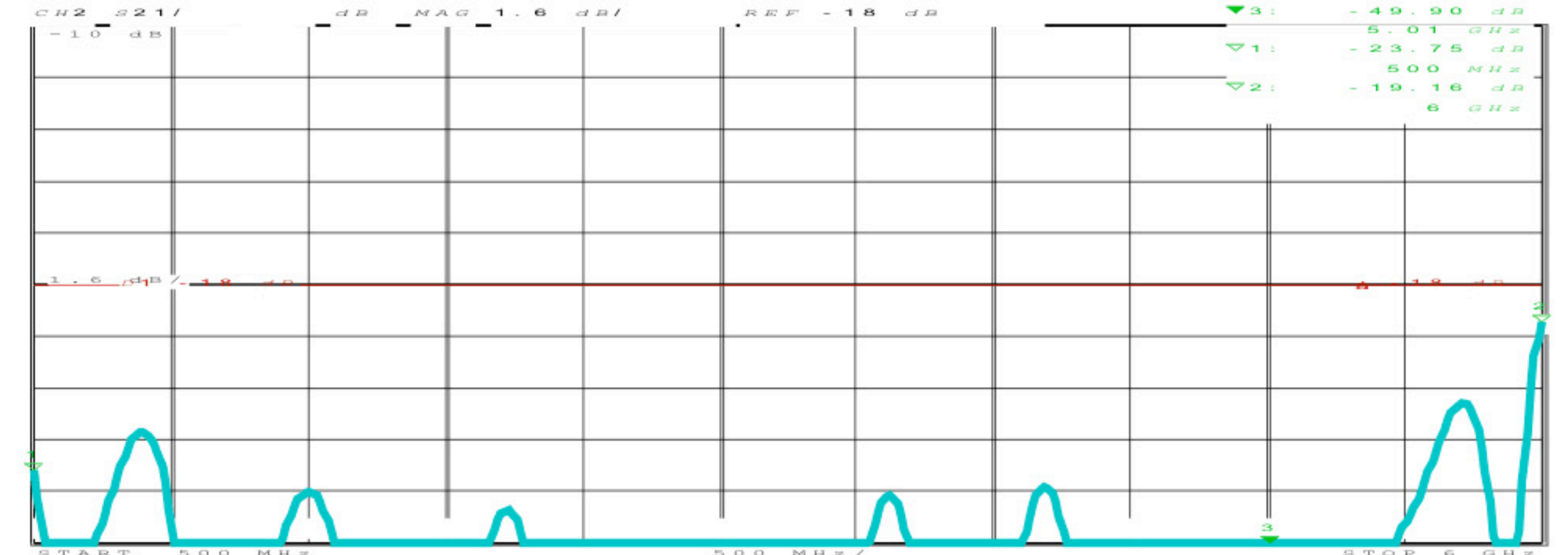


TYPICAL PLOT:

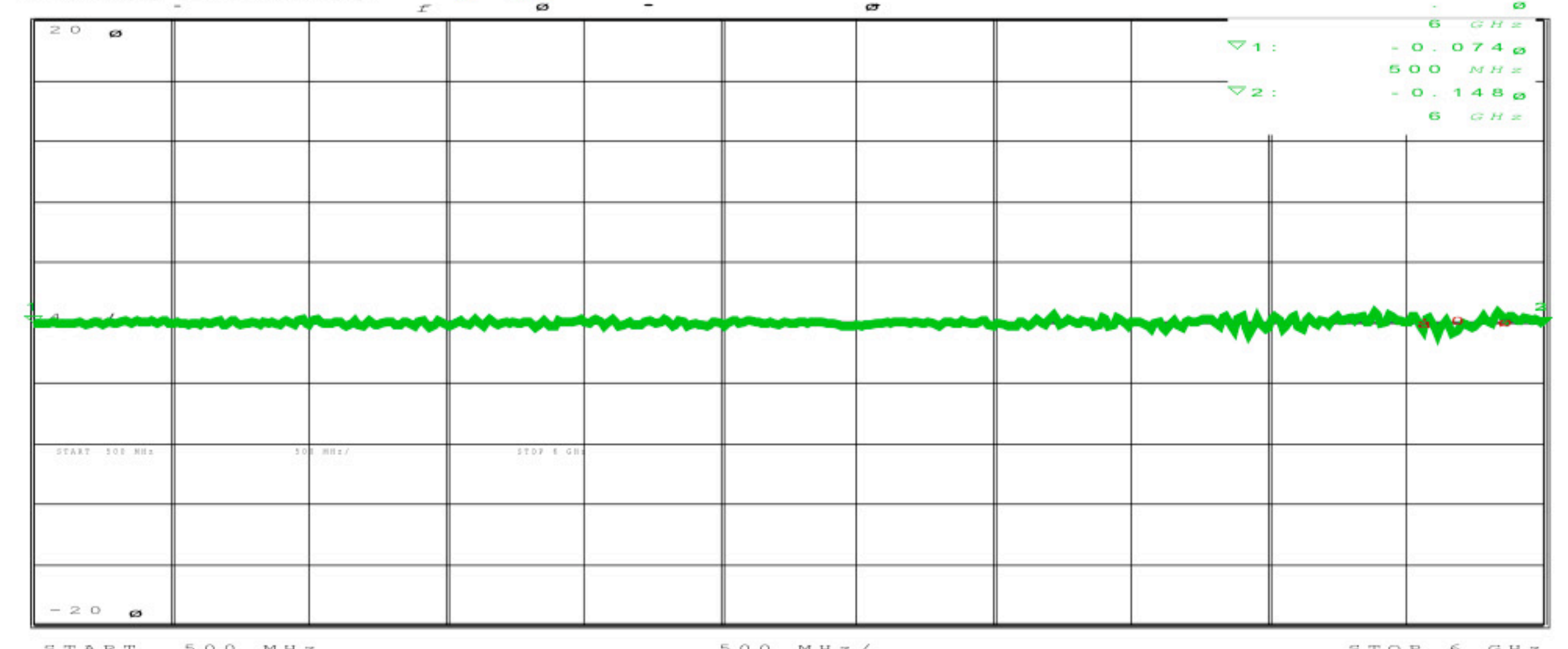
Insertion loss



Isolation



Phase Balance



VSWR

